

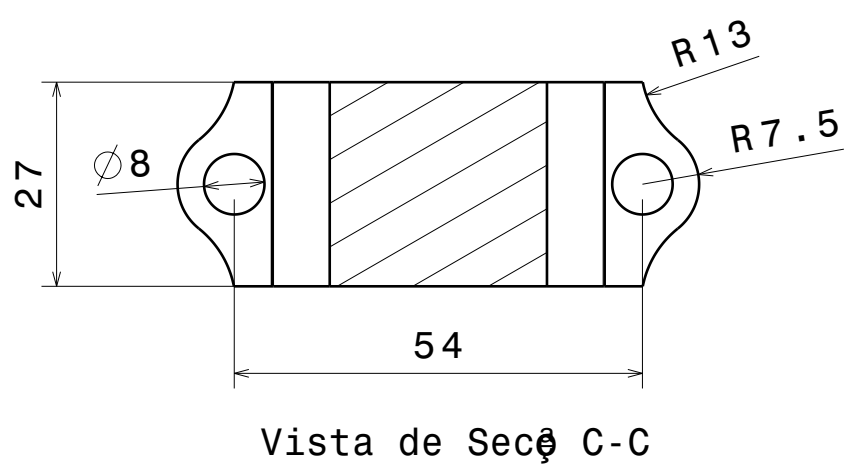
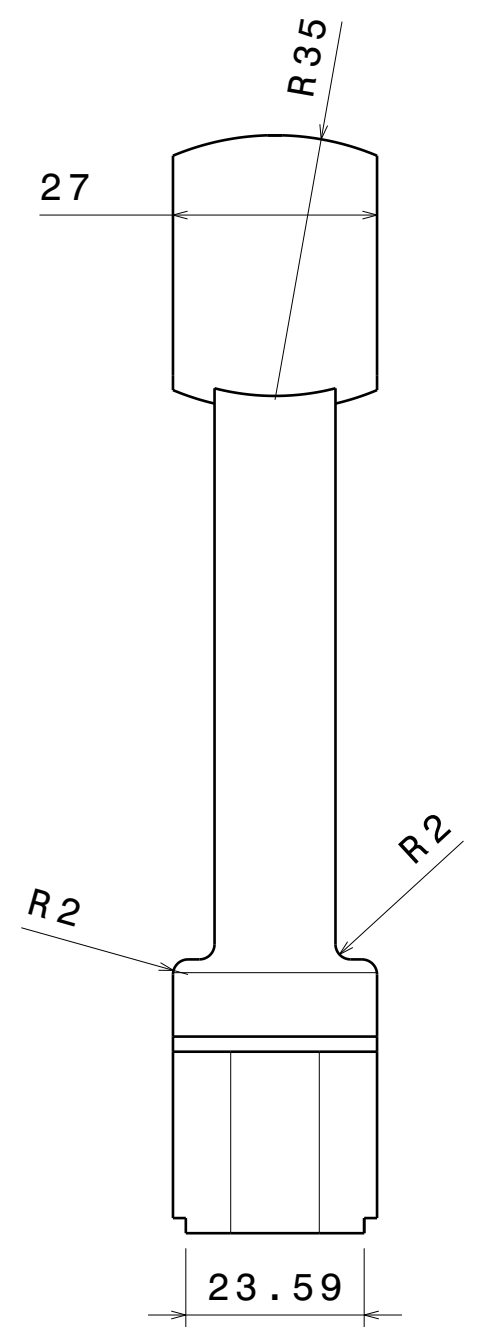
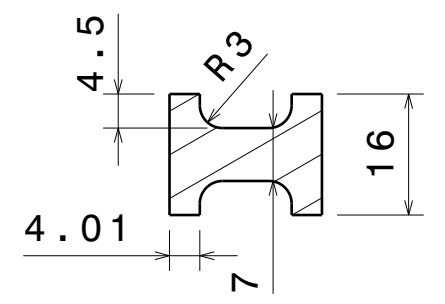
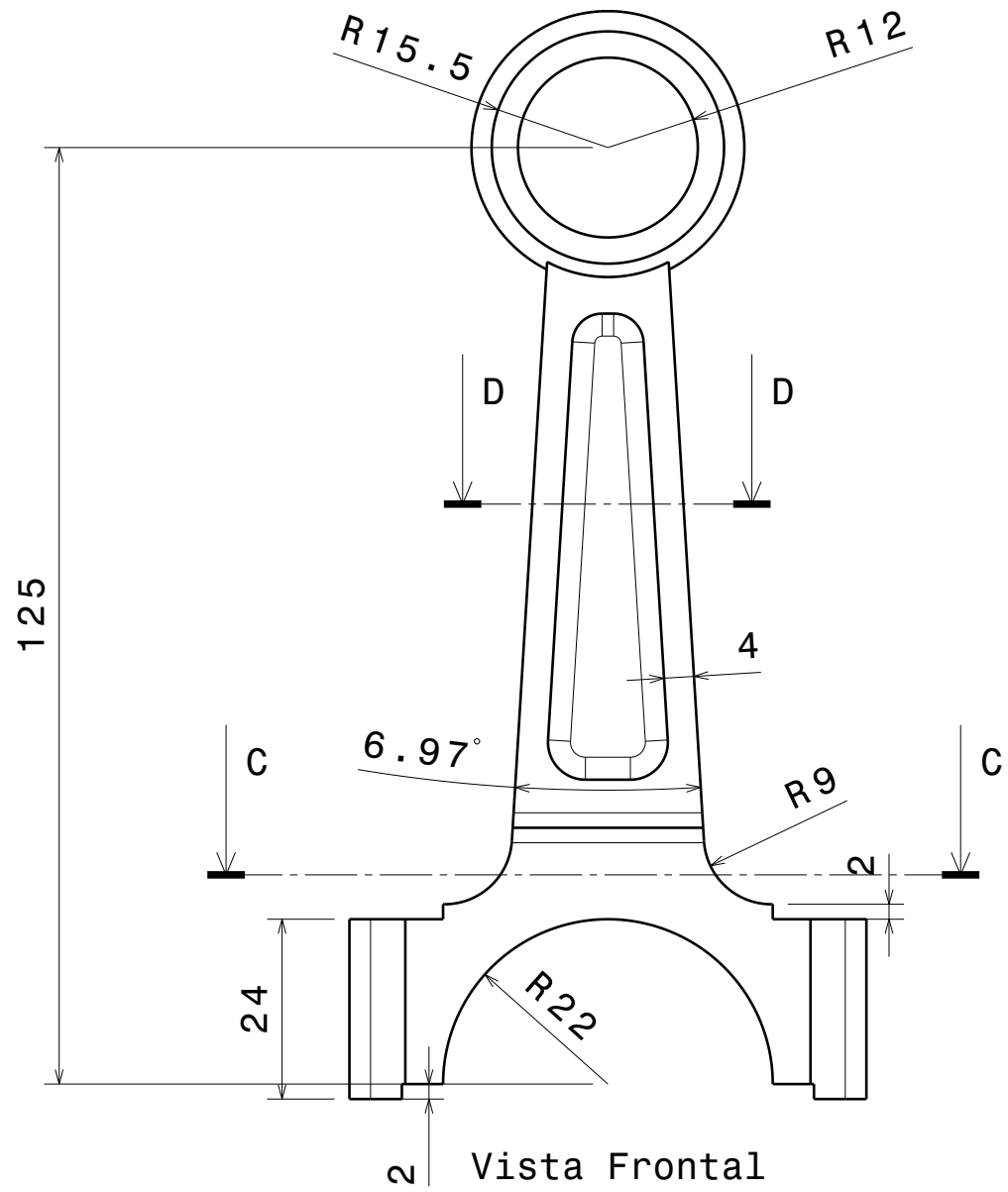
H G F E D C B A

4

3

2

1



This drawing is our property.  
It can't be reproduced  
or communicated without  
our written agreement.

UNIVERSIDADE FEDERAL DO PARANÁ

DRAWING TITLE

PISTO

DRAWN BY  
**Eduardo**

DATE  
14/12/2011

CHECKED BY  
**XXX**

DATE  
xxx

SIZE <b>A3</b>	DRAWING NUMBER <b>Produto 1</b>	REV <b>X</b>
-------------------	------------------------------------	-----------------

DESIGNED BY  
**XXX**

DATE  
xxx

SCALE 1:1	WEIGHT (kg) 0,33	SHEET 3/5
--------------	---------------------	--------------

H G F E D C B A

4

3

2

1