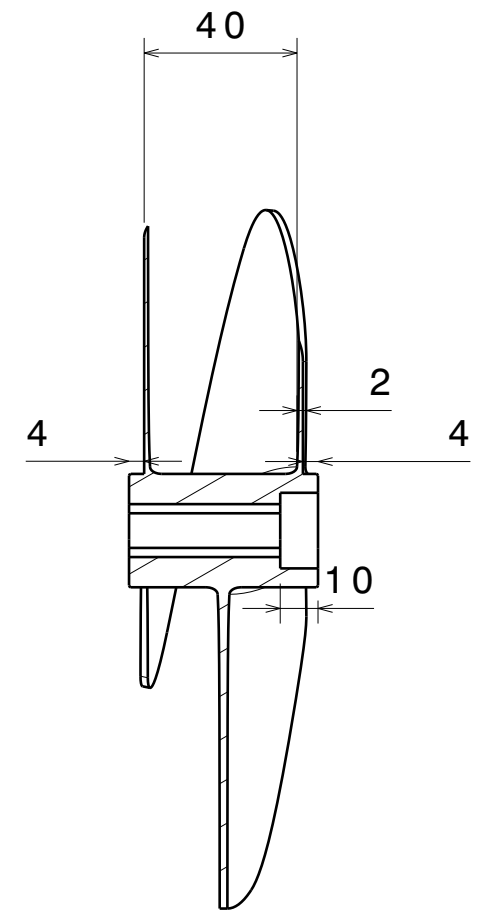
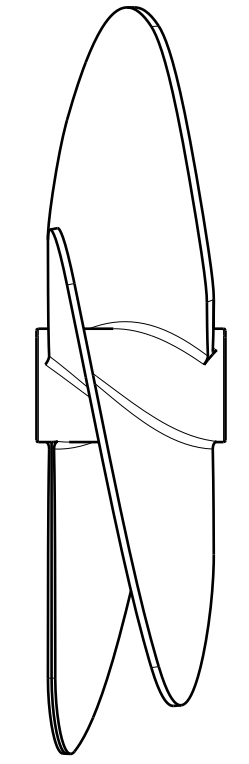


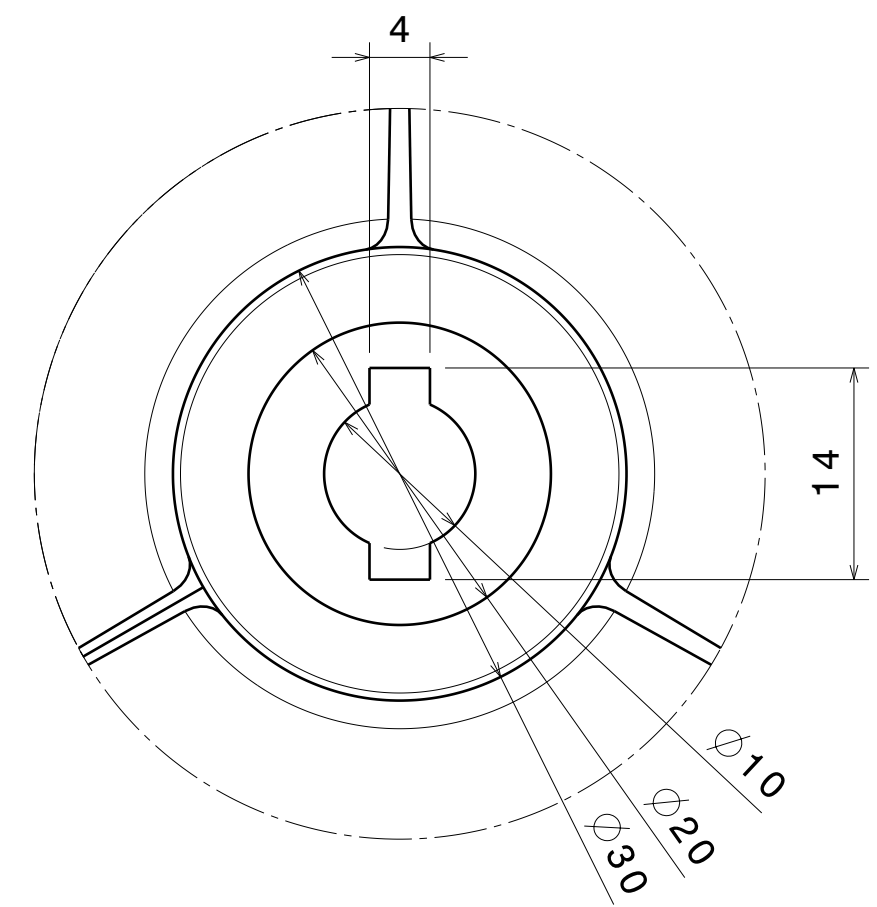
Vista Superior
Escala: 1:2



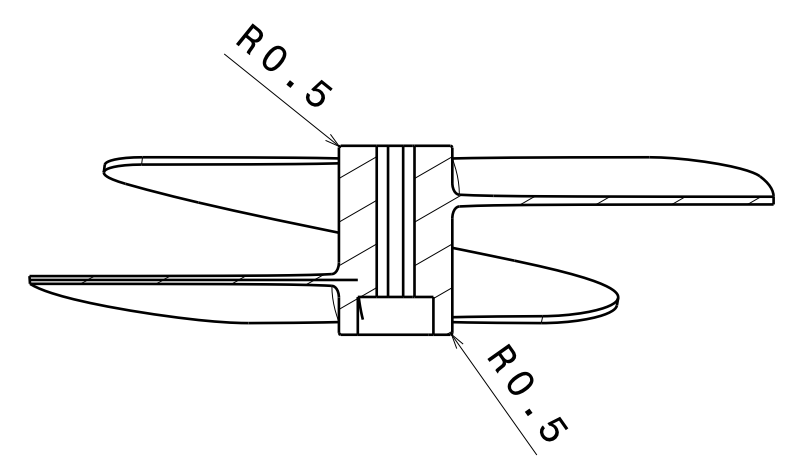
Vista de secao A-A
Escala: 1:2



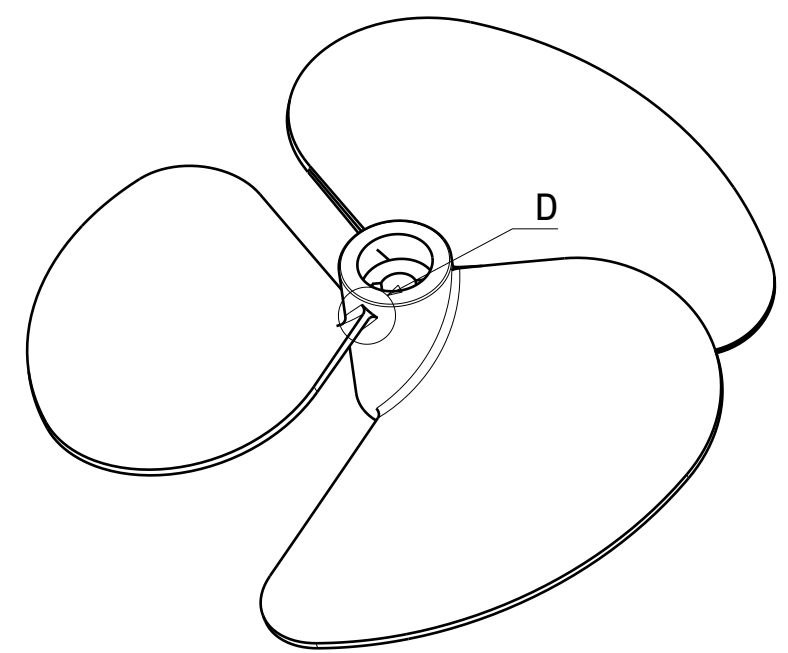
Vista Frontal
Escala: 1:2



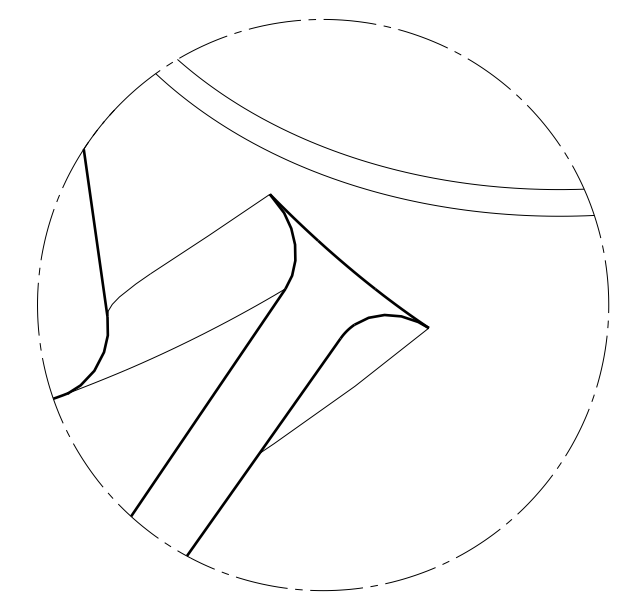
Vista Detalhe B
Escala: 2:1



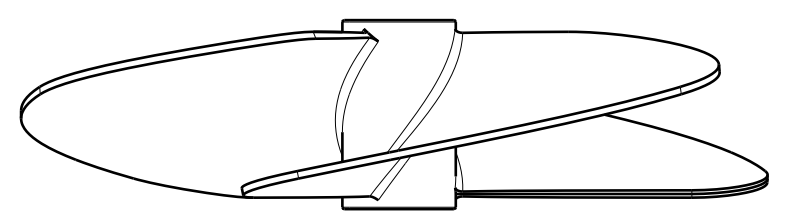
Vista de secao C-C
Escala: 1:2



Vista Isometrica
Escala: 1:2



Vista detalhe D
Escala: 5:1



Vista lateral
Escala: 1:2

DESIGNED BY: Aluno	VENTILADOR		I	-	
DATE: 21/10/2015			H	-	
CHECKED BY: XXX			G	-	
DATE: XXX	DASSAULT SYSTEMES		F	-	
DATE: XXX			E	-	
SIZE: A2			D	-	
SCALE: 1:1	WEIGHT (kg): 0,09	DRAWING NUMBER: Part12	SHEET: 1/1	C	-
This drawing is our property; it can't be reproduced or communicated without our written agreement.				B	-
				A	-